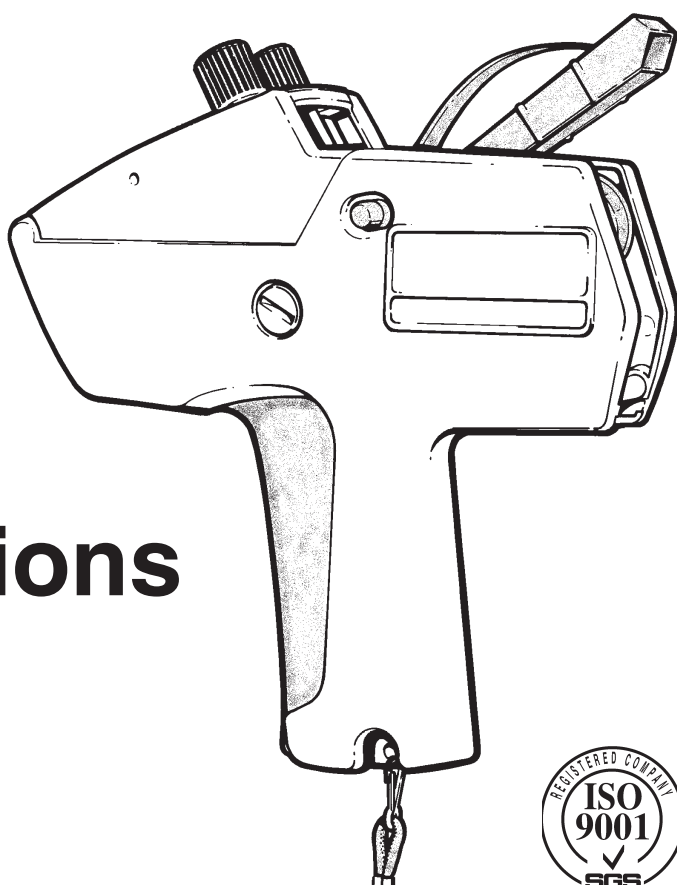


# Monarch® 1115® Labeler

## Operating Instructions

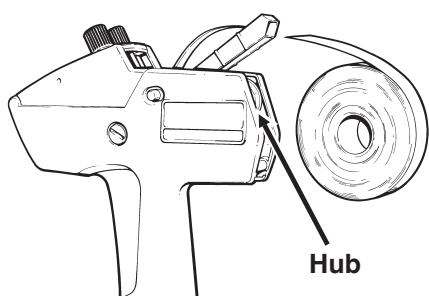


TC1115OI Rev. BE 12/07 ©2006 Paxar Americas, Inc.  
a subsidiary of Avery Dennison Corp. All rights reserved.

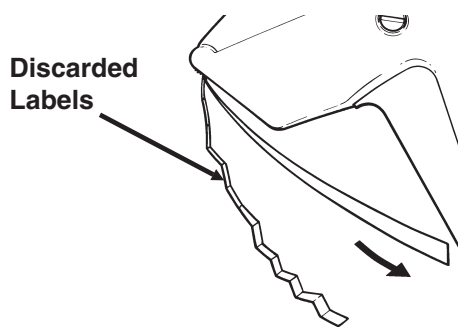
### LOADING LABELS & SETTING PRINT BANDS

#### LOADING LABELS

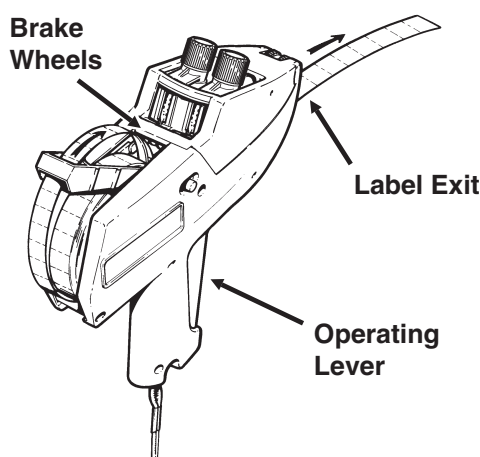
**1** Slide label roll between hubs. Discard first fourteen labels and backing paper.



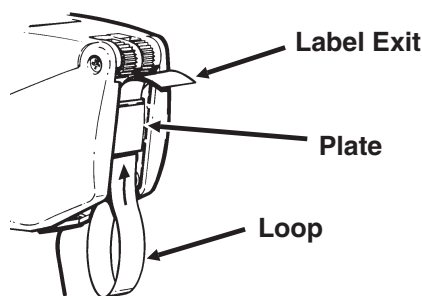
**4** Pull backing paper to the end of the operating lever, separating labels from backing paper.



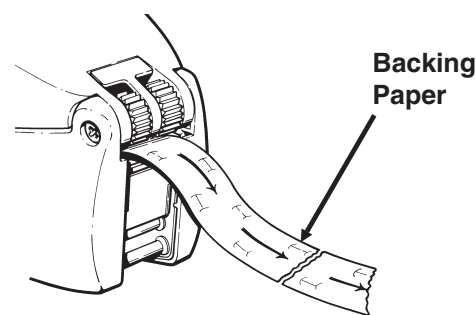
**2** Squeeze operating lever and feed label strip over spring and under brake wheels until about twelve labels come out.



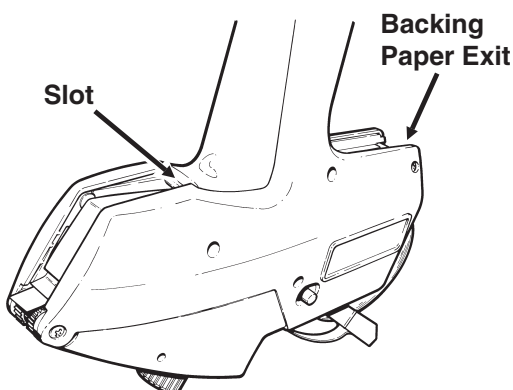
**3** Feed label strip up under plate until two labels come out. Rewind label roll until loop is removed.



**5** Tear backing paper evenly between cuts, close to the end of the strip as shown.



**6** Hold labeler upside down and while squeezing operating lever, feed backing paper into slot. Squeeze operating lever eight times until backing paper comes through the rear exit.



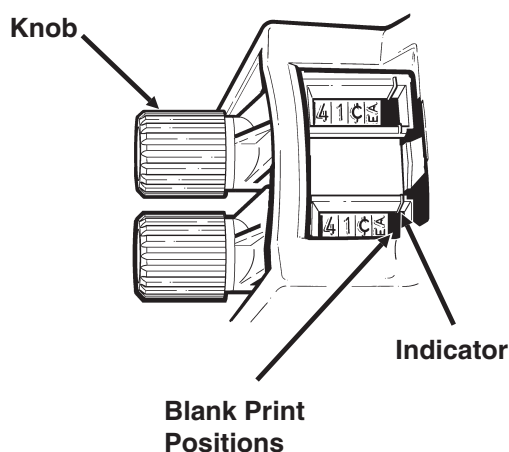
**7** If backing paper does not become taut and exit at rear: Turn labeler upside down, squeeze operating lever and pull backing paper out of slot. Repeat steps, 4, 5, and 6.

#### SETTING PRINT BANDS

**1** Pull the knob until the indicators point to the desired band.

**2** Turn the knob until the indicators point to desired character or blank.

**3** Set all bands and push the knob in all the way.

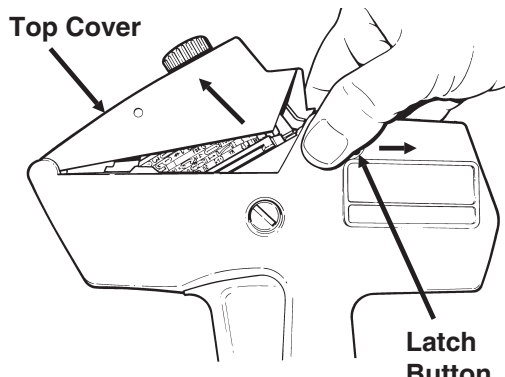


**4** Print a sample label to insure information is correct.

**5** If the character prints **UPSIDE DOWN**, turn the band until you can read the characters correctly. The desired character may be coated with ink.

#### INKING

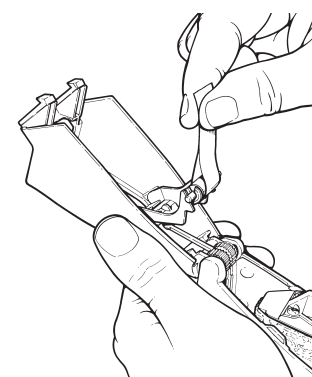
**1** Move two latch buttons toward label roll and swing top cover away from print head.



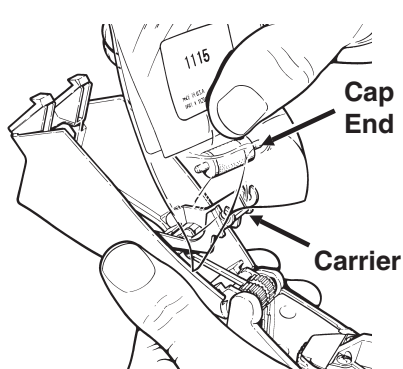
**2** Fold a piece of scrap backing paper.



**3** Insert folded backing paper between ink roll and carrier. Pull to snap old ink roll free.



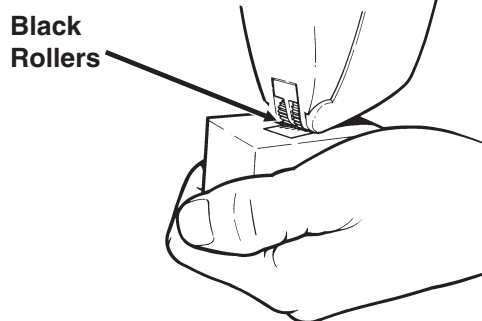
**4** Cut off end of ink roll package. Using package to protect fingers, slide carrier into package and snap new ink roll into carrier.



**5** Snap top cover closed.

## OPERATION

**1** Squeeze and release operating lever.



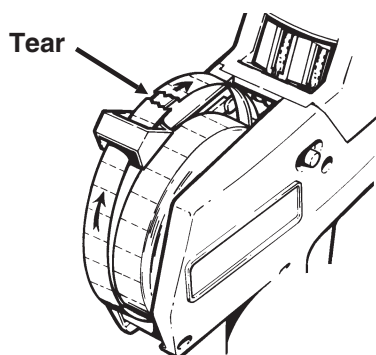
**2** Place black rollers on item to be labeled.

**3** Pull labeler to apply label.  
(Gentle wiping motion.)

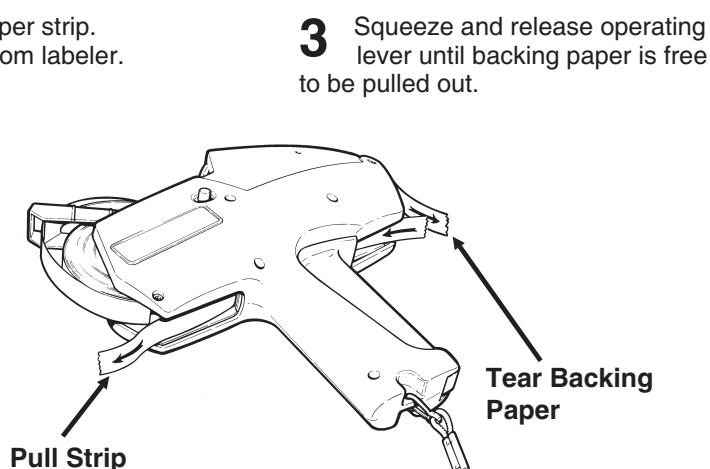
**DO NOT POUND** labeler when applying labels.

## REMOVING SUPPLIES

**1** Tear label strip at label roll as shown and pull label roll from between hubs.



**2** Tear backing paper strip. Pull label strip from labeler.



**3** Squeeze and release operating lever until backing paper is free to be pulled out.

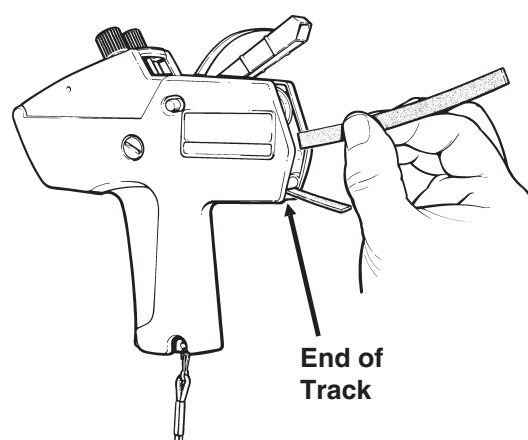
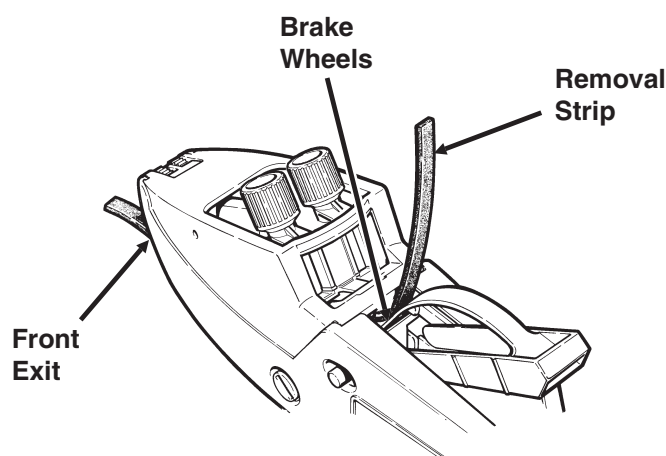
## MAINTENANCE

**1** With label roll removed, check label track and backing paper track for stray labels.

**2** Clear label track by squeezing operating lever and feeding label removal strip under brake wheels and out front of labeler.

**3** To clear backing paper track:

- Insert label removal strip in end of track to loosen stray labels.
- Insert label removal strip as shown, using corner to remove stray labels.

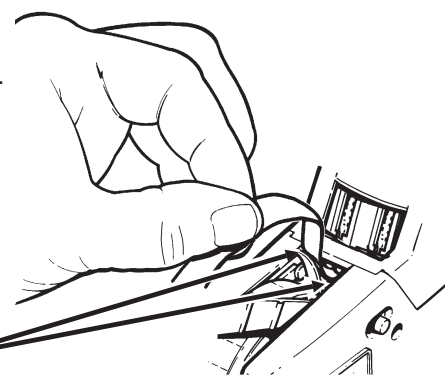


## OPERATION, REMOVING SUPPLIES & MAINTENANCE

### LUBRICATION

If adhesive buildup occurs, lubricate as shown with labels loaded.

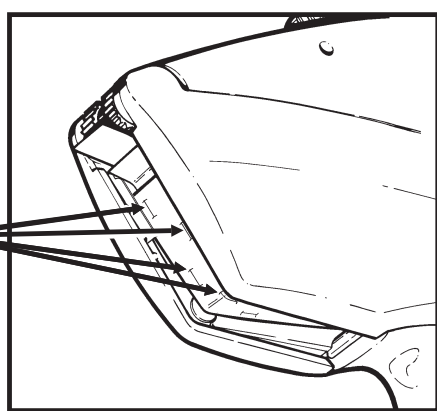
Monarch lubricant is recommended.



**Lubricate:**  
One drop each side of label chute between spring and backing paper.

**Lubricate:**  
One drop each spot on backing paper (total of four drops). Spread with finger.

**DO NOT OVER LUBRICATE!**



### PRINT ADJUSTMENT

**1** Print location is correct when extreme right-hand and left-hand characters are located as shown.

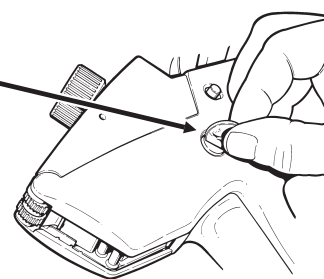
Approx. 1/16 inch (1.6 mm) → || ←



→ || ← Approx. 1/16 inch (1.6 mm)

**2** Place small coin in feedwheel button slot.

**Feedwheel Button Slot**



**3** Push feedwheel button **IN COMPLETELY** and turn slightly clockwise if print is too far left or slightly counterclockwise if print is too far right. Adjustment made without completely depressing button are temporary.

**4** Repeat steps 2 and 3 until print is correctly located.

### TROUBLESHOOTING

Trouble	Remedy
Characters not printing. Bands not inked.	Check ink roll per <b>Inking</b> instructions.
Labels feed slowly or hesitantly.	Follow <b>Lubrication</b> and <b>Maintenance</b> Instructions.
Labels will not feed.	Reload per instructions. Use correct supplies. Follow <b>Maintenance</b> instructions.
Print incorrectly located.	Follow <b>Print Adjustment</b> instructions.
Printing smeared or distorted.	Print several labels (15 to 25) to use up excess ink.
Printing too light.	Squeeze operating lever harder during operation.

#### Warranties

Product warranty statements may vary from country to country. Please contact the authorized PAXAR/Monarch representative in your country for details.